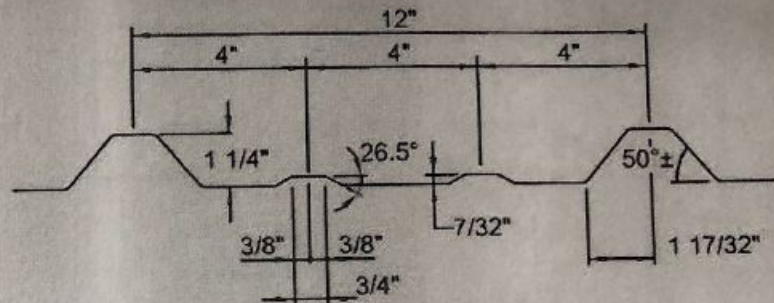


PANEL PROFILE



PARTIAL CROSS SECTION